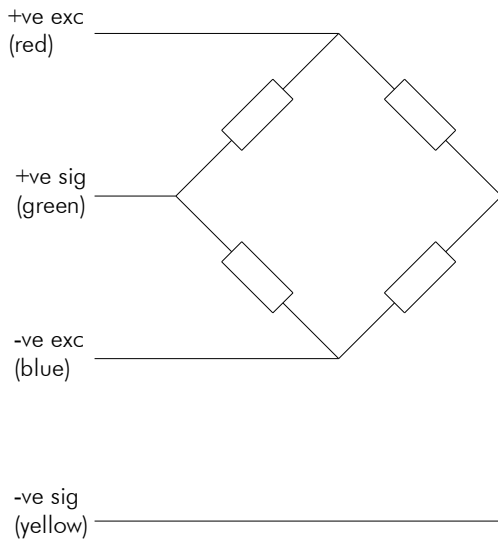


Comp Cell

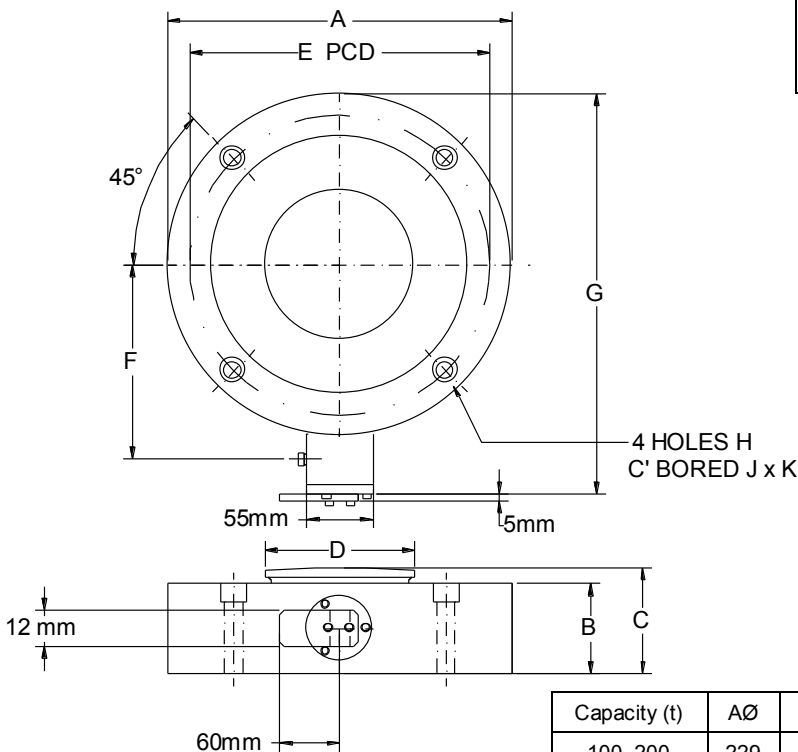
High Capacity Low Profile Design

- Range 100te to 750te
- Accuracy $\pm 0.1\%$
- Sealed to IP68
- Stainless steel construction
- Integral load button
- ATEX version available



| | | |
|---------------------------|-------------------------|--------------------------------|
| Capacities | 100, 200, 300, 500, 750 | tonne |
| Full Load Output | 2.0 ($\pm 0.25\%$) | mV/V |
| Zero Load Output | $< \pm 2.0$ | % |
| Excitation (Max) | 10 (15) | V |
| Accuracy | ± 0.1 | % |
| Input Resistance | 750 (± 20) | Ω |
| Output Resistance | 700 (± 2) | Ω |
| Compensated Temp. Range | -10 to +50 | $^{\circ}\text{C}$ |
| Operating Temp. Range | -20 to +60 | $^{\circ}\text{C}$ |
| Temp. Coefficient on Zero | < 0.005 | % Capacity/ $^{\circ}\text{C}$ |
| Temp Coefficient on Span | < 0.005 | % Capacity/ $^{\circ}\text{C}$ |
| Safe Overload | 150 | % |
| Environmental Protection | IP68 | |
| Cable Length | 4 | m |

Specifications subject to change without notice



Features and Benefits:

- Welded construction
- Option cable protection plate
- Cable gland or M12 connector
- Optional 4-20mA output

| Capacity (t) | A \varnothing | B | C | D \varnothing | E | F | G | H \varnothing | J \varnothing | K |
|--------------|-----------------|-----|-----|-----------------|-----|-----|-----|-----------------|-----------------|----|
| 100, 200 | 229 | 60 | 70 | 87 | 200 | 132 | 272 | 10.5 | 17 | 12 |
| 300 | 299 | 73 | 85 | 155 | 260 | 165 | 340 | 12.5 | 19 | 14 |
| 500, 750 | 299 | 105 | 120 | 155 | 260 | 165 | 340 | 12.5 | 19 | 14 |

All dimensions in mm

Elite Transducers Ltd

5&6 Zephyr House, Calleva Park, Aldermaston, Reading, RG7 8JN
 Tel: (+44) 0118 9811750 Fax: (+44) 0118 9811751
 E-mail: info@elitetransducers.co.uk

LPCC
 ATEX / IECEx Approved to
 Ex ia IIC T6
 Ex tb IIIC Db T85 $^{\circ}\text{C}$
 (-20 $^{\circ}\text{C}$ \leq T $_o$ \leq +60 $^{\circ}\text{C}$)

