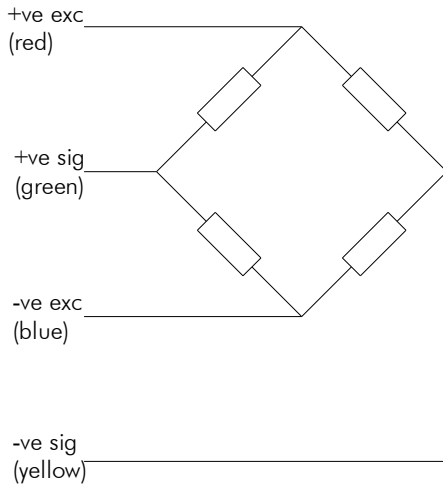


Low Profile Aluminium Series



- Range 500N to 200kN
- Low profile design
- Low deflection
- High natural frequency
- Excellent rejection of extraneous forces



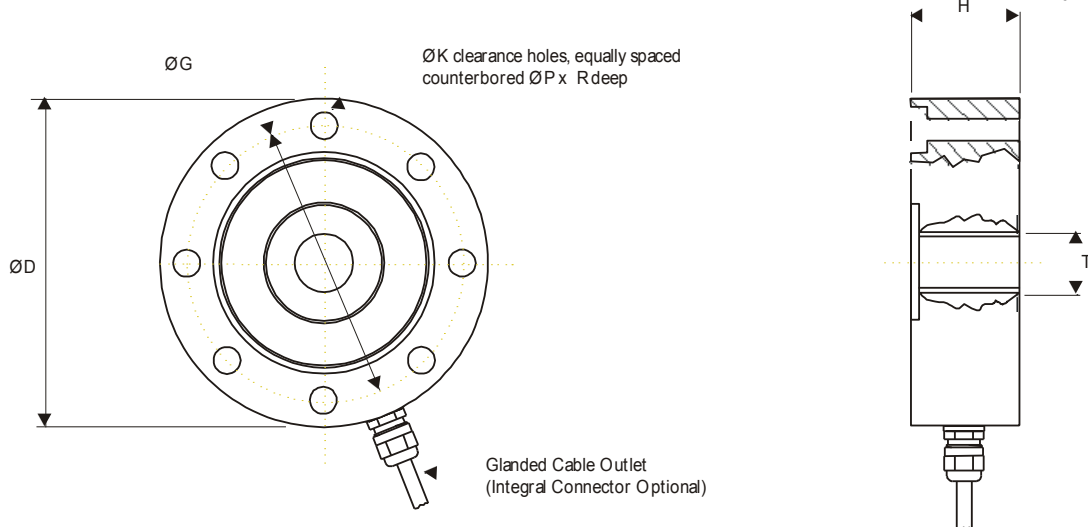
Options :
 Other ranges available on request
 Full range of mounting options
 Stainless Steel versions
 Integral connector version
 Double bridge version

CCapacities	0.5,1, 2, 5, 10, 20, 50, 100, 200	kN
Full Load Output	2.0 (±0.25%)	mV/V
Zero Load Output	<±2.0	%
Excitation (Max)	10 (15)	V
Accuracy	<0.1	%
Repeatability	<0.03	%
Input Resistance	400(±20)	Ω
Output Resistance	350	Ω
Compensated Temp. Range	-10 to +40	°C
Operating Temp. Range	-20 to +60	°C
Temp. Coefficient on Zero	<0.0050	% Capacity/°C
Temp Coefficient on Span	<0.0050	% Capacity/°C
Safe Overload	150	%
Insulation	>500 @100Vdc	MΩ
Environmental Protection	IP65	
Cable Length	4	m

Specifications subject to change without notice

Type	D	H	G	K	T	P	R
500 N	76	25	60	6 off Ø6.2	M6 x 1.0	11	7
1, 2, 5 kN	76	25	60	6 off Ø6.2	M6 x 1.0	11	7
10, 20 kN	89	25	70	6 off Ø8.3	M12 x 1.75	14	8
50 kN	140	46	114	8 off Ø10.3	M20 x 1.5	17	11
100, 200 kN	152	46	124	8 off Ø14.5	M36 x 3.0	N/A	N/A

All dimensions in mm



Elite Transducers Ltd

5&6 Zephyr House, Calleva Park, Aldermaston, Reading, RG7 8JN

Tel: (+44) 0118 9811750 Fax: (+44) 0118 9811751

E-mail: info@elitetransducers.co.uk