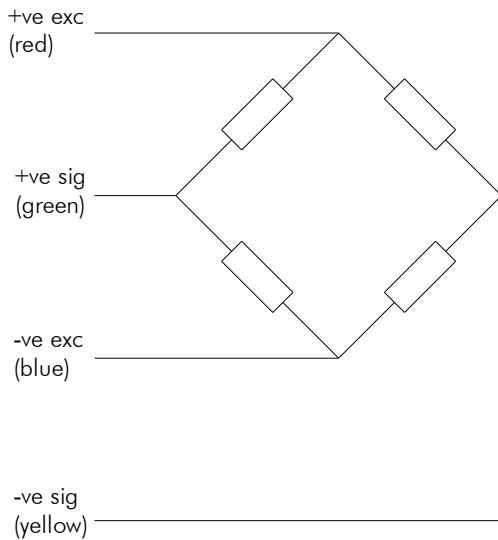




Pressure Transducer

Economical pressure measurement

- Range 50 to 1000 bar
- Sealed gauge operation
- Sealed to IP67
- Resistant to transients and spikes
- Robust stainless construction

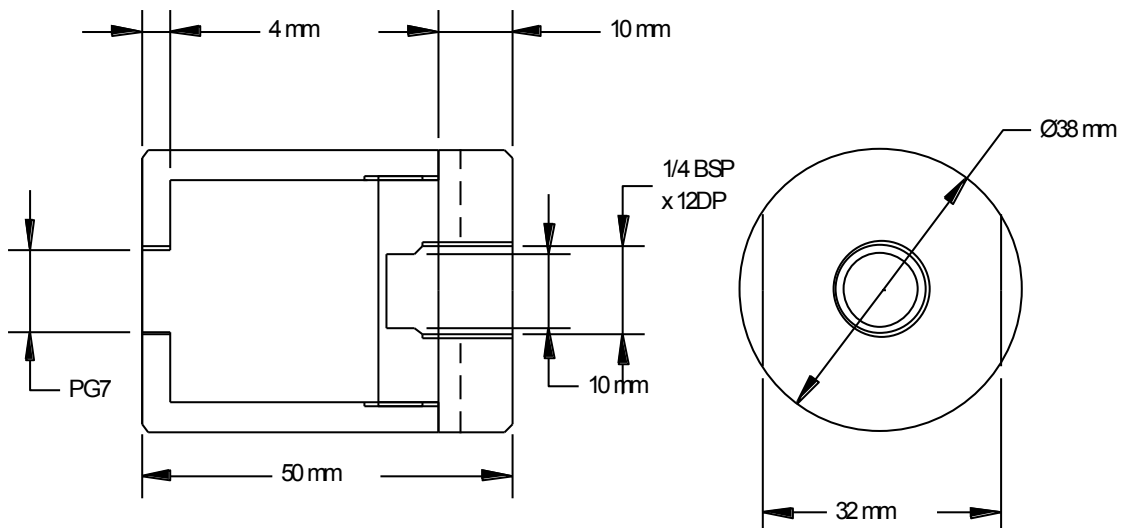


Options :

Other ranges available on request
 Cable or plug and socket connector
 Non-standard sizes available
 Amplified outputs (voltage or current)

Capacities	50, 100, 200, 250, 350, 500, 700, 1000	bar
Full Load Output	2.0 nom.	mV/V
Zero Balance	<±5.0	%
Excitation (Max)	10 (12)	V
Accuracy	<0.2	%
Repeatability	<0.10	%
Input Resistance	350	Ω
Output Resistance	350	Ω
Compensated Temp. Range	-10 to +40	°C
Operating Temp. Range	-20 to +60	°C
Temp. Coefficient on Zero	<0.040	% Capacity/°C
Temp Coefficient on Span	<0.040	% Capacity/°C
Safe Overload	150	%
Insulation	>500 @100Vdc	MΩ
Environmental Protection	IP67	
Cable Length	4	m

Specifications subject to change without notice



Elite Transducers Ltd

5&6 Zephyr House, Calleva Park, Aldermaston, Reading, RG7 8JN

Tel: (+44) 0118 9811750 Fax: (+44) 0118 9811751

E-mail: info@elitetransducers.co.uk