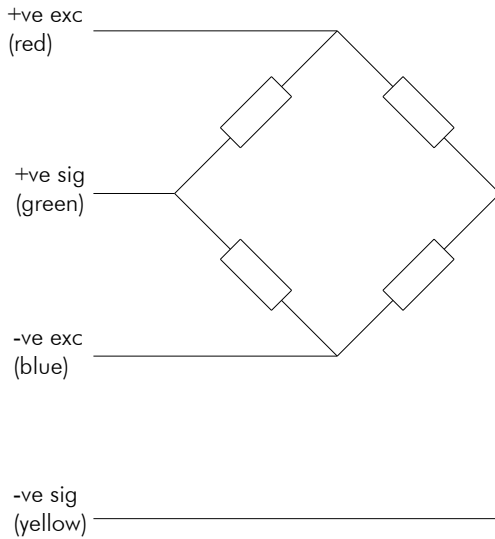


# Wedge Socket

## Type S421



- Rope sizes 9 to 32 mm
- Sealed to IP68
- Low deflection
- Ideal for direct swap installation
- Robust construction
- ATEX certification available

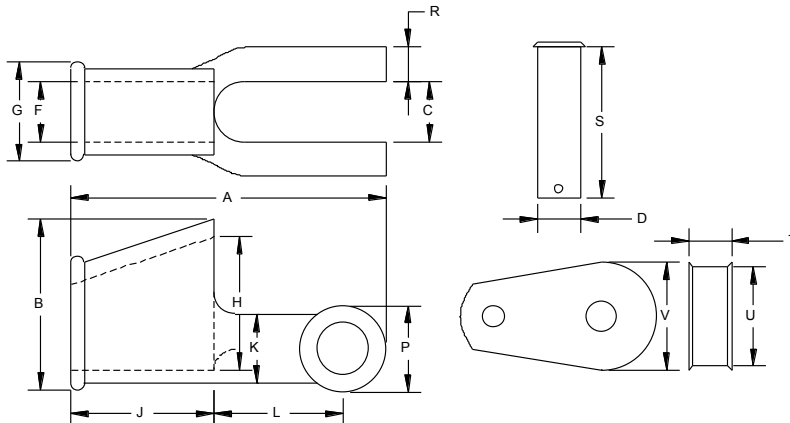


Capacities	5, 10, 25, 50, 100, 250	te
Full Load Output	1.0 nom.	mV/V
Zero Load Output	<±0.004	%
Excitation (Max)	10 (15)	V
Accuracy	<0.5	%
Repeatability	<0.10	%
Input Resistance	375	Ω
Output Resistance	350	Ω
Compensated Temp. Range	-10 to +40	°C
Operating Temp. Range	-20 to +60	°C
Temp. Coefficient on Zero	<0.050	% Capacity/°C
Temp Coefficient on Span	<0.030	% Capacity/°C
Safe Overload	150	%
Insulation	>500 @100Vdc	MΩ
Environmental Protection	IP68	
Cable Length	4	m

Specifications subject to change without notice

Wire Rope Dia.		Dimensions (mm)															
(in.)	(mm)	A	B	C	D	F	G	H	J	K	L	P	R	S	T	U	v
2/8	9-10	143	65.0	20.6	20.6	14.2	28.7	52.5	57.0	26.9	63.5	39.6	11.2	52.0	11.2	31.8	35.0
1/2	11-13	173	87.5	25.5	25.4	17.5	35.1	71.5	76.0	33.3	70.0	49.3	12.7	62.0	13.5	44.5	48.0
5/8	14-16	207	103	31.8	30.2	22.3	44.5	84.0	93.5	38.1	82.5	57.2	14.2	79.5	17.5	51.0	55.5
3/4	18-19	248	122	38.1	35.1	25.4	52.4	100	111	44.5	101	70.0	16.8	92.1	19.8	59.0	65.0
7/8	20-22	283	139	44.5	41.4	28.7	58.5	114	127	51.0	114	79.5	19.1	160	22.3	68.3	74.5
1	24-26	324	155	50.8	50.8	33.3	65.0	127	146	57.0	127	95.0	22.3	117	26.2	73.0	83.5
1-1/8	28	365	171	57.2	57.0	38.1	74.5	140	165	63.5	143	108	25.4	136	30.2	79.5	90.5
1-1/4	30-32	406	187	63.5	63.5	41.4	81.0	152	184	70.0	159	121	28.7	147	33.3	86.0	97.0

All dimensions in mm



Options :

Other ranges available on request.

Cable or plug and socket connector.

Non-standard sizes available.  
Atex version available.

## Elite Transducers Ltd

5&6 Zephyr House, Calleva Park, Aldermaston, Reading, RG7 8JN

Tel: (+44) 0118 9811750 Fax: (+44) 0118 9811751

E-mail: [info@elitetransducers.co.uk](mailto:info@elitetransducers.co.uk)

DELPEX  
ATEX / IECEx Approved to  
Ex ia IIC T6  
Ex tb IIIC Db T85°C  
(-20°C ≤ T<sub>a</sub> ≤ +60°C)

