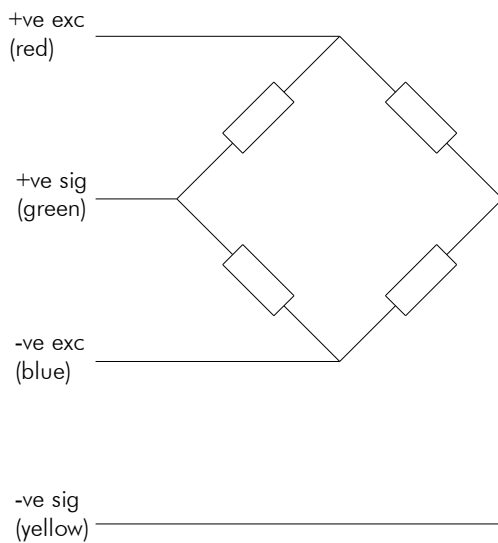


# Single Beam Silo Mount Vessel Weighing Assembly



- Low height
- Stainless Assembly
- Stainless load cell
- High accuracy
- Sealed to IP68
- High resistance to off axis loads



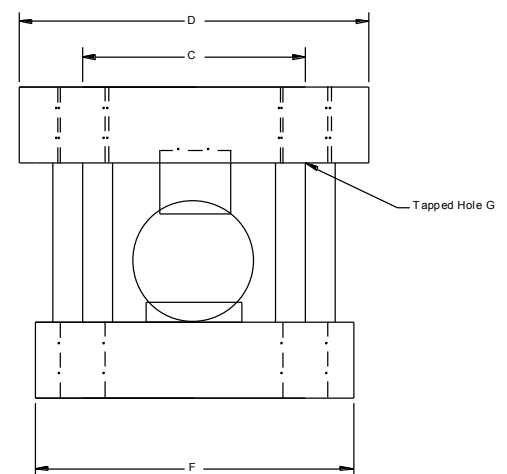
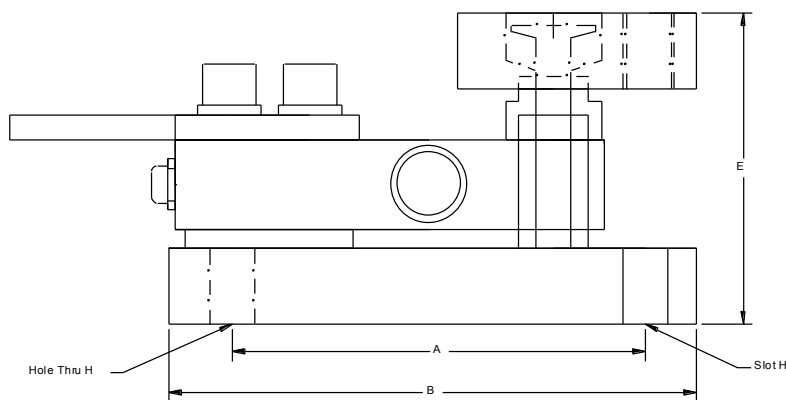
Capacities	250-2000	Kg
Full Load Output	2.0 ( $\pm 0.25\%$ )	mV/V
Zero Load Output	$< \pm 2.0$	%
Excitation (Max)	10 (15)	V
Accuracy	$< 0.05$	%
Repeatability	$< 0.01$	%
Input Resistance	375 ( $\pm 20$ )	$\Omega$
Output Resistance	350 ( $\pm 2$ )	$\Omega$
Compensated Temp. Range	-10 to +40	$^{\circ}\text{C}$
Operating Temp. Range	-20 to +60	$^{\circ}\text{C}$
Temp. Coefficient on Zero	$< 0.005$	% Capacity/ $^{\circ}\text{C}$
Temp Coefficient on Span	$< 0.005$	% Capacity/ $^{\circ}\text{C}$
Safe Overload	150	%
Insulation	$> 500 @ 100\text{Vdc}$	M $\Omega$
Environmental Protection	IP68	
Cable Length	4	m

Specifications subject to change without notice

All dimensions in mm

Capacity	A	B	C	D	E	F	$\text{\O}G$	$\text{\O}H$
0.25 - 2t	130	165	70	110	100	100	M16	13.6

Options :  
Atex version available.



## Elite Transducers Ltd

5&6 Zephyr House, Calleva Park, Aldermaston, Reading, RG7 8JN

Tel: (+44) 0118 9811750 Fax: (+44) 0118 9811751

E-mail: [info@elitetransducers.co.uk](mailto:info@elitetransducers.co.uk)

SELB  
ATEX / IECEx Approved to  
Ex ia IIC T6  
Ex tb IIIC Db T85 $^{\circ}\text{C}$   
(-20 $^{\circ}\text{C}$   $\leq$  T $_a$   $\leq$  +60 $^{\circ}\text{C}$ )

