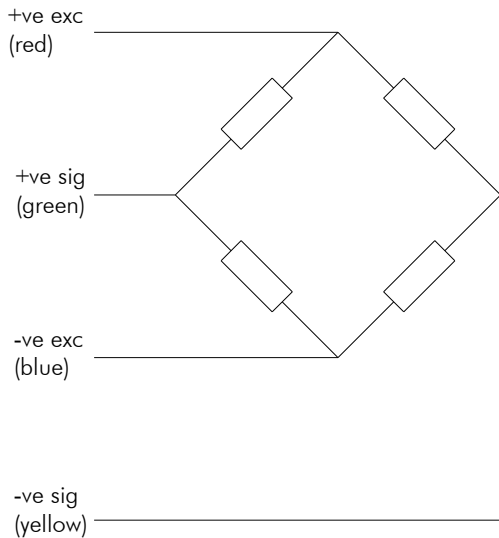


Annular Load Cell

Force Washer

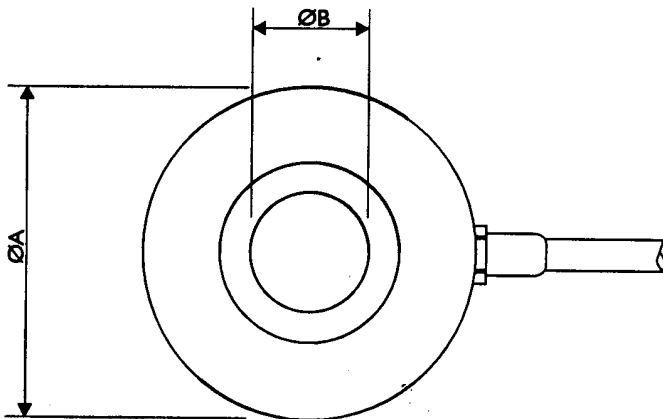


- Range 10kN to 200kN
- Sealed to IP66
- Low deflection
- ATEX certification available
- Low profile and compact
- Suitable for metric or imperial bolts
- Robust construction



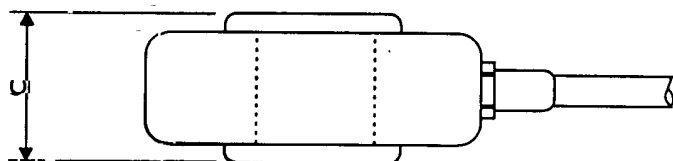
Capacities	10, 20, 40, 80, 120, 160, 200	kN
Full Load Output	1.0 nom.	mV/V
Zero Load Output	<±2.0	%
Excitation (Max)	10 (15)	V
Accuracy	<0.5	%
Repeatability	<0.10	%
Input Resistance	375 or 750	Ω
Output Resistance	350 or 700	Ω
Compensated Temp. Range	-10 to +40	°C
Operating Temp. Range	-20 to +60	°C
Temp. Coefficient on Zero	<0.030	% Capacity/°C
Temp Coefficient on Span	<0.0050	% Capacity/°C
Safe Overload	150	%
Insulation	>500 @100Vdc	MΩ
Environmental Protection	IP66	
Cable Length	4	m

Specifications subject to change without notice



Capacity (kN)	Bolt Size	A	B	C
10	M6	18	6.1	12
20	M8	22	8.1	12
40	M10	28	10.2	12
80	M12	38	12.2	15
100	M16	42	16.3	20
120	M24	50	24.3	25
160	M30	60	30.5	30
200	M36	75	36.5	30

All dimensions in mm



Options :

Other ranges available on request
 Full range of mounting options
 Non-standard sizes available
 ATEX approval

Elite Transducers Ltd

5&6 Zephyr House, Calleva Park, Aldermaston, Reading, RG7 8JN

Tel: (+44) 0118 9811750 Fax: (+44) 0118 9811751

E-mail: info@elitetransducers.co.uk

CLC
 ATEX / IECEx Approved to
 Ex ia IIC T6
 Ex tb IIIC Db T85°C
 (-40°C ≤ T_a ≤ +60°C)

