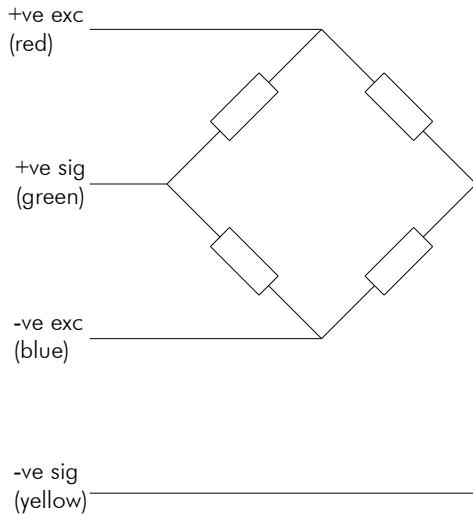




Winch Cell Series

1000Kg—3000Kg

- Welded Covers
- Stainless Steel Load Cell
- Sealed to IP68
- Mounting Plate (Plated Mild Steel)
- Two Year Warranty
- High Accuracy
- Atex certification available



Options:
Connect 4 load cells in parallel
4-20mA output (amplifier housed in sealed stainless steel enclosure)

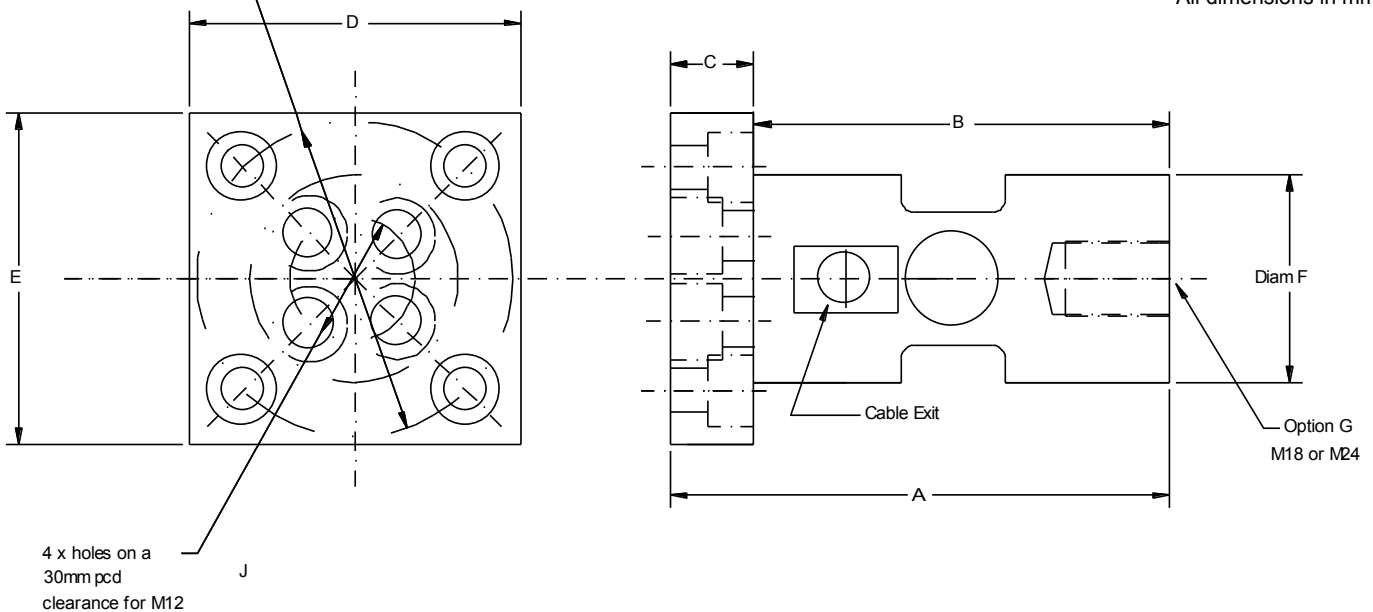
Capacities	1000, 2000, 3000	Kg
Full Load Output	0.5	mV/V
Zero Load Output	<±2.0	%
Excitation (Max)	10 (15)	V
Accuracy	<0.05	%
Repeatability	<0.01	%
Input Resistance	Nom. 2200	Ω
Output Resistance	2000	Ω
Compensated Temp. Range	-10 to +40	°C
Operating Temp. Range	-20 to +60	°C
Temp. Coefficient on Zero	<0.002	% Capacity/°C
Temp Coefficient on Span	<0.005	% Capacity/°C
Safe Overload	150	%
Insulation	>500 @100Vdc	MΩ
Environmental Protection	IP68	
Cable Length	5	m

Specifications subject to change without notice

4 x holes on a 76 pcd clearance for M10

Capacity (Kg)	A	B	C	D	E	F	G	H	J
1000 - 3000	120	100	20	80	80	50	M18/M24	M10	M12

All dimensions in mm



4 x holes on a 30mm pcd clearance for M12

Elite Transducers Ltd

5&6 Zephyr House, Calleva Park, Aldermaston, Reading, RG7 8JN

Tel: (+44) 0118 9811750 Fax: (+44) 0118 9811751

E-mail: info@elitetransducers.co.uk

SELB
ATEX / IECEx Approved to
Ex ia IIC T6
Ex tb IIIC Db T85°C
(-40°C ≤ T_a ≤ +60°C)

